



LEFROY BROOKS

1 8 2 8 T R O U T M A N S T R E E T
R I D G E W O O D N E W Y O R K N Y 1 1 3 8 5 U S A
T: +1(718) 302 5292 F: +1(718) 302 4177

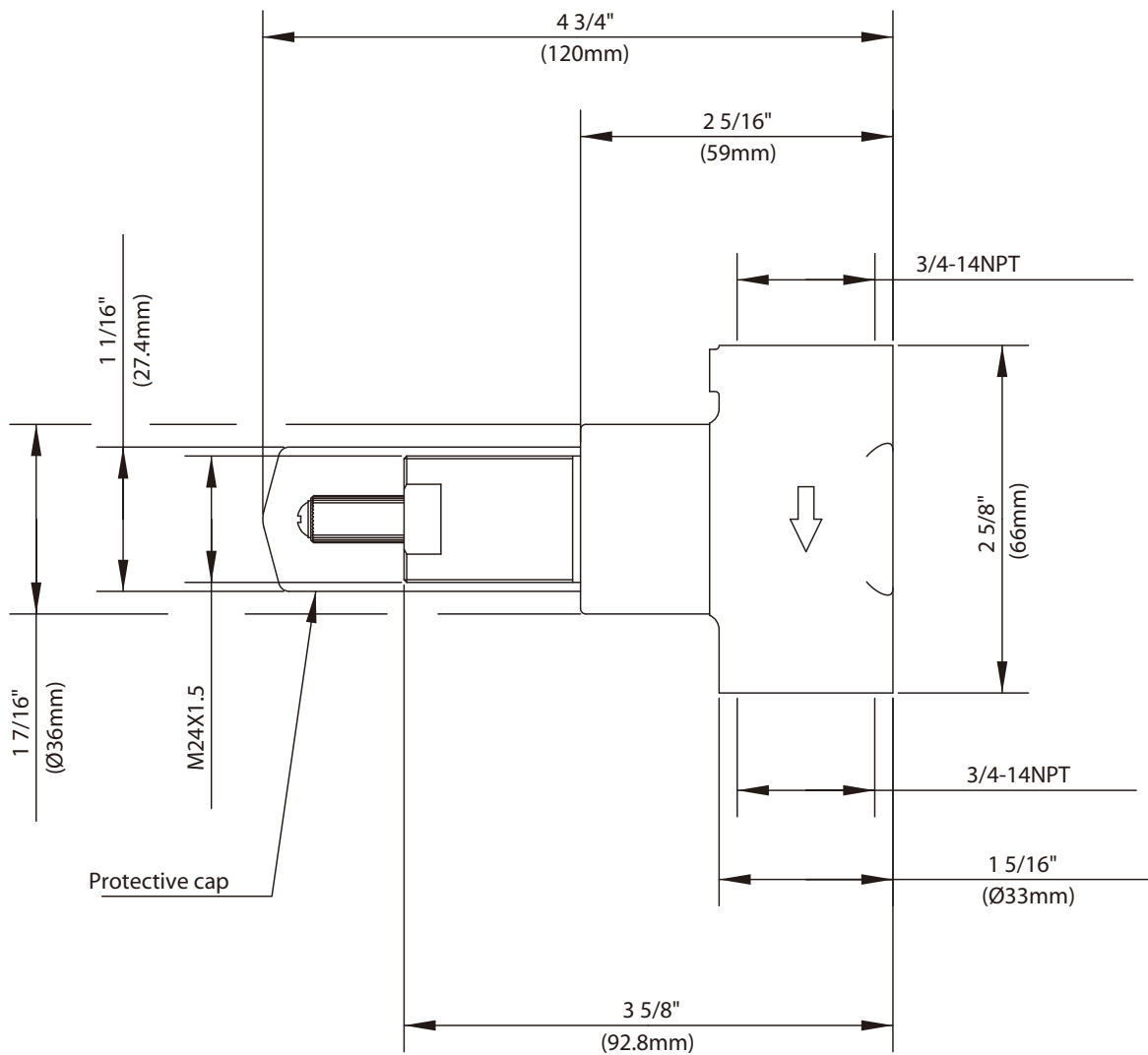
R1-4002

3/4-INCH RECESSED FLOW CONTROL, ROUGH ONLY TO SUIT
CW-1015, CB-1015, M1-1015, K1-1015 & X1-1000

DIMENSIONAL DATA SHEET

DATE: 09 NOVEMBER 2015

No: A661061



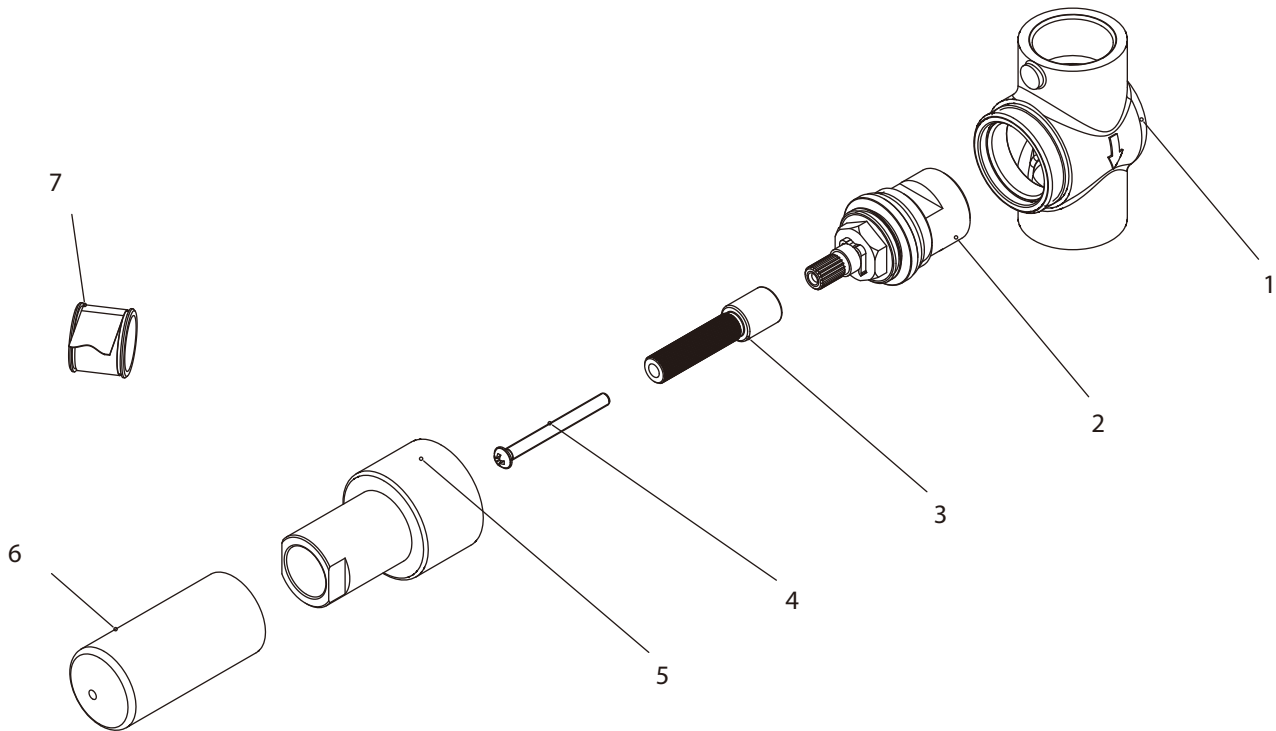
COPYRIGHT © LBIP LTD 2012. ALL RIGHTS RESERVED.

DIMENSIONS IN INCHES & MILLIMETRES

WHILST EVERY EFFORT IS MADE TO ENSURE THE ACCURACY OF THESE DATA SHEETS THEY ARE SUBJECT TO CHANGE WITHOUT NOTICE AS PART OF THE COMPANY'S PRODUCT DEVELOPMENT PROCESS

R1-4002

3/4-INCH RECESSED FLOW CONTROL, ROUGH ONLY TO SUIT CW-1015, CB-1015, M1-1015, K1-1015 & X1-1000

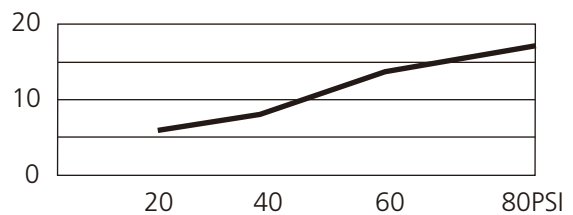


- 1 Body (002531)
- 2 Cartridge assembly (507455 for R1-4002)
Cartridge assembly (507911 for R1-4019)
- 3 Spindle (110408)
- 4 Screw (065035)
- 5 Nut (009628)
- 6 Protective cap (038007)
- 7 Teflon tape (203000)

Standards

IAPMO/cUPC Listed
Meets NSF 61-9
Meets A112.18.1

Flow Rate



Please note :
Final achievable flow rate is dependent on the outlets fitted, see relevant outlets (spouts, roses, sprays) for fully assembled product flow rate.